



GRYPHON™

THE NEXT GENERATION OF COIN VALIDATION

Leading the market in speed, security, and recognition, CPI delivers the next generation of coin acceptance technology

- Three motors deliver faster payout and increased reliability
- Proprietary sensing technology delivers industry leading fraud protection and future-proofed operation
- Enhanced configuration options allow 12% more capacity for more payout flexibility and fewer change-fill visits
- USB connection ensures seamless upgrades and data retrieval, reducing at-machine upgrade time by up to 80%
- Enhanced User Interface for a simple and intuitive user experience



Gryphon Coin Changer Specifications & Benefits

Configuration and Options

Coin Tubes

- Six

Power Consumption

- Standby: 5 Watts
- Acceptance: 10 Watts
- Full Stack Max: 50 Watts

Specifications

Acceptance Rate

97% or greater for all coins at nominal conditions.

Power Requirements

24VDC, 34 VDC MDB

Interfaces

MDB, EXEC, BDV, and VCCS

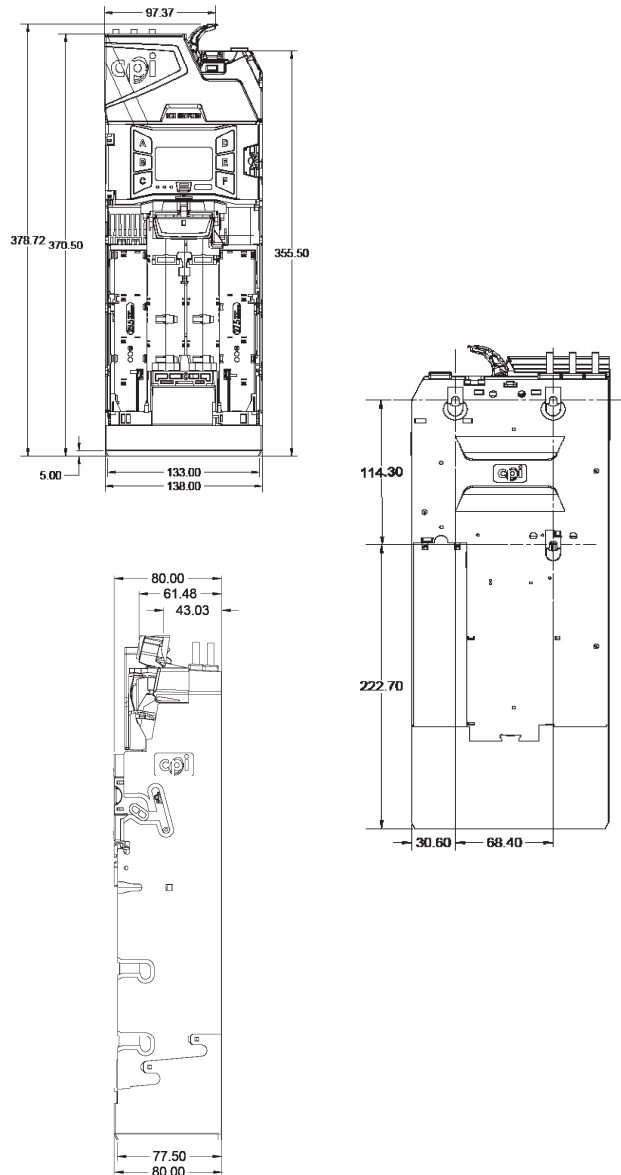
Connectivity

USB, IrDA, Bluetooth

Support Tools

STS Software

Visit CranePI.com/Gryphon to learn more.



CPI has made every effort to assure that the information in this document is accurate. However, we cannot be held responsible for any errors or omissions. © 2019 Crane Payment Innovations. All rights reserved.

CranePI.com